

PRODUCT SPECSHEET

PRODUCT: NPS VRP

CATEGORY: STATIC VOLTAGE STABILIZER / REGULATOR

SUB CATEGORY: NEUTRAL PROVIDER-CUM-STABILIZER

MODEL: THREE PHASE 3KVA TO 200KVA, ±20%



TSi Power Pvt Ltd, 154-55, Siddhi Industrial Infra Park, Waghodia,
Vadodara-391760, Gujarat, India | +91-8000455999 | info@tsipower.in

DISCLAIMER: The information provided is for representative purposes only and does not constitute a warranty. Users are responsible for verifying the suitability of the product for their specific applications.

Index (click to directly jump to a section)

- ABOUT THE PRODUCT
- FEATURES & BENEFITS
- ABOUT THE COMPANY

- TECHNICAL SPECIFICATIONS - NPS-VRP-3000-9339-200M
- TECHNICAL SPECIFICATIONS - NPS-VRP-6000-9339-200M
- TECHNICAL SPECIFICATIONS - NPS-VRP-10000-9339-200M
- TECHNICAL SPECIFICATIONS - NPS-VRP-15000-9339-200M
- TECHNICAL SPECIFICATIONS - NPS-VRP-20000-9339-200M
- TECHNICAL SPECIFICATIONS - NPS-VRP-25000-9339-200M
- TECHNICAL SPECIFICATIONS - NPS-VRP-30000-9339-200M
- TECHNICAL SPECIFICATIONS - NPS-VRP-40000-9339-200M
- TECHNICAL SPECIFICATIONS - NPS-VRP-50000-9339-200M
- TECHNICAL SPECIFICATIONS - NPS-VRP-75000-9339-200M
- TECHNICAL SPECIFICATIONS - NPS-VRP-75000-9339-200MP
- TECHNICAL SPECIFICATIONS - NPS-VRP-100000-9339-200M
- TECHNICAL SPECIFICATIONS - NPS-VRP-100000-9339-200MP
- TECHNICAL SPECIFICATIONS - NPS-VRP-130000-9339-200MP
- TECHNICAL SPECIFICATIONS - NPS-VRP-160000-9339-200MP
- TECHNICAL SPECIFICATIONS - NPS-VRP-200000-9339-200MP

- DIMENSION DIAGRAMS
- CONTACT US

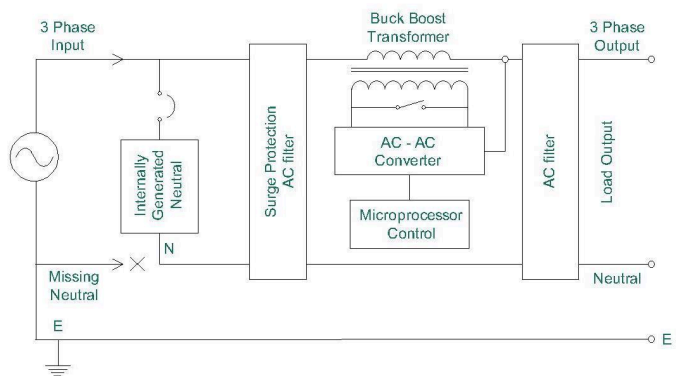
The **TSi NPS VRP series** is a cost-effective three phase automatic precision AC voltage regulator that ensures maintenance-free operation of electronic equipment over a wide range of input voltage range without having the need of an input neutral for carrying out its operation.



TSi NPS VRP series is designed to provide precision power with a typical response cum correction time of 20 milliseconds to comply with the requirements of the ITIC curve for power supply to electronics. This has revolutionised the industry, as the existing technologies become either obsolete or extremely expensive. Hence, we don't call them our competitors. They are simply 'wrong solutions' for the existing power problems.

How does the TSi NPS VRP work?

The high frequency Insulated Gate Bipolar Transistor (IGBT) driven converter takes the incoming AC power, measures it against the nominal voltage reference and adds or subtracts voltage to achieve a precisely regulated 230V output. The automatic bypass will be activated when there is a fault condition. Green LEDs are used to indicate Normal (regulating mode) operation.



[jump to index](#)

Features & Benefits -

- NPS VRP doesn't need input neutral.
- Ability to provide healthy output even if there is a break/failure of incoming neutral.
- Output load can be single phase as well as three phase.
- No change in wiring is required. Input will be three phase 4 wire and output will be three phase 5 wire.
- Static technology results in quiet operation, high product up-time & low maintenance.
- Provides optimum voltage compensation, sag control, swell control, spike & noise control.
- Provides output voltage to within +/- 1% for superior regulation.
- Internal surge voltage protection assures trouble-free operation.
- AC input circuit breakers and load over current protection prevents costly equipment damage.
- Tight control over electronic card failures, data corruption and machine breakdowns result in higher productivity, lower operating costs, and greater consumer comfort.
- Lightweight and compact size makes for ease of installation.

[jump to index](#)

The TSi Philosophy - Powering Happiness

TSi Power is a renowned and a trusted name in the power conditioning industry. Since 2011, we have built a workplace that *nurtures* happy employees to *create* great products, in turn, making *happy customers*. Our founders strongly believe and have cultivated this within the company. There's a reason why we have become one of the *world's most trusted* power conditioners.

Powering Happiness is both our business goal and our work culture.

Our Facility in Vadodara, India



[jump to index](#)

TECHNICAL SPECIFICATIONS - NPS-VRP-3000-9339-200M

[jump to index](#)

| ELECTRICAL | |
|--|--|
| Capacity (in KVA) | 3 |
| Switching Technology | 20 kHz IGBT AC chopper/inverter |
| Voltage Compensation Time | 20 ms typical |
| AC INPUT | |
| Nominal Input Voltage (V) | Three phase 400 |
| Designed Input Voltage Range (V) (voltage regulation accuracy of +/-1%) | 320 - 480 |
| Input Voltage Range (V) (for relaxed output regulation within functional range of 200-250V P-N) | 277 - 520 |
| Nominal Operating Frequency | 47 - 63 Hz |
| Maximum Rated Input Current (A) | 5 |
| AC Input Connector | L1, L2, L3, Neutral & Ground input wires. Input neutral will not be used. |
| Overload & Short Circuit Protection | Through suitably rated input circuit breaker |
| AC OUTPUT | |
| Nominal Output Voltage (V) | Three phase 400 |
| Efficiency | Typical 96% (under 20 - 100 % load condition) |
| Output Voltage Compensation Range | +/- 1 % |
| Maximum Rated Output Current (A) | 4 |
| System Status Indicator | Green LED ON-Normal operation Amber LED ON-Bypass operation Red LED ON-Fault |
| Output Connector | L1, L2, L3, Neutral & Ground output wires. Fresh output neutral provided. |
| Surge Protection | Class II Surge Protection |
| PHYSICAL | |
| Cabinet Construction | RAL 7035 light grey powder coated CRCA cabinets |
| Automatic AC-AC Converter Bypass | Standard, will get activated when there is a fault condition |
| Cabinet Weather Protection Ratings | IP 20 (for use in protected indoor environments) |
| Display | Digital output voltage display through selector switch |
| Mounting | 4 High Quality Castor wheels 2 with brakes |
| Overall Dimension (approx.) | As per Dimension Diagram of Cubical Type 610x610x640 |
| Unpacked Weight (approx.) | 85 kg |

| ENVIRONMENTAL | |
|--|--|
| Cooling Method | Forced air |
| Operating Temperature Range | 0 to + 45 °C |
| Operating Humidity Range | 10 to 90% relative humidity (non-condensing) |
| <i>Note: NPS VRP doesn't need input neutral.</i> | |

TECHNICAL SPECIFICATIONS - NPS-VRP-6000-9339-200M

[jump to index](#)

| ELECTRICAL | |
|--|--|
| Capacity (in KVA) | 6 |
| Switching Technology | 20 kHz IGBT AC chopper/inverter |
| Voltage Compensation Time | 20 ms typical |
| AC INPUT | |
| Nominal Input Voltage (V) | Three phase 400 |
| Designed Input Voltage Range (V) (voltage regulation accuracy of +/-1%) | 320 - 480 |
| Input Voltage Range (V) (for relaxed output regulation within functional range of 200-250V P-N) | 277 - 520 |
| Nominal Operating Frequency | 47 - 63 Hz |
| Maximum Rated Input Current (A) | 11 |
| AC Input Connector | L1, L2, L3, Neutral & Ground input wires. Input neutral will not be used. |
| Overload & Short Circuit Protection | Through suitably rated input circuit breaker |
| AC OUTPUT | |
| Nominal Output Voltage (V) | Three phase 400 |
| Efficiency | Typical 96% (under 20 - 100 % load condition) |
| Output Voltage Compensation Range | +/- 1 % |
| Maximum Rated Output Current (A) | 9 |
| System Status Indicator | Green LED ON-Normal operation Amber LED ON-Bypass operation Red LED ON-Fault |
| Output Connector | L1, L2, L3, Neutral & Ground output wires. Fresh output neutral provided. |
| Surge Protection | Class II Surge Protection |
| PHYSICAL | |
| Cabinet Construction | RAL 7035 light grey powder coated CRCA cabinets |
| Automatic AC-AC Converter Bypass | Standard, will get activated when there is a fault condition |
| Cabinet Weather Protection Ratings | IP 20 (for use in protected indoor environments) |
| Display | Digital output voltage display through selector switch |
| Mounting | 4 High Quality Castor wheels 2 with brakes |

| | |
|--|--|
| Overall Dimension (approx.) | As per Dimension Diagram of Cubical Type 610x610x640 |
| Unpacked Weight (approx.) | 85 kg |
| ENVIRONMENTAL | |
| Cooling Method | Forced air |
| Operating Temperature Range | 0 to + 45 °C |
| Operating Humidity Range | 10 to 90% relative humidity (non-condensing) |
| <i>Note: NPS VRP doesn't need input neutral.</i> | |

TECHNICAL SPECIFICATIONS - NPS-VRP-10000-9339-200M

[jump to index](#)

| | |
|--|--|
| ELECTRICAL | |
| Capacity (in KVA) | 10 |
| Switching Technology | 20 kHz IGBT AC chopper/inverter |
| Voltage Compensation Time | 20 ms typical |
| AC INPUT | |
| Nominal Input Voltage (V) | Three phase 400 |
| Designed Input Voltage Range (V) (voltage regulation accuracy of +/-1%) | 320 - 480 |
| Input Voltage Range (V) (for relaxed output regulation within functional range of 200-250V P-N) | 277 - 520 |
| Nominal Operating Frequency | 47 - 63 Hz |
| Maximum Rated Input Current (A) | 18 |
| AC Input Connector | L1, L2, L3, Neutral & Ground input wires. Input neutral will not be used. |
| Overload & Short Circuit Protection | Through suitably rated input circuit breaker |
| AC OUTPUT | |
| Nominal Output Voltage (V) | Three phase 400 |
| Efficiency | Typical 96% (under 20 - 100 % load condition) |
| Output Voltage Compensation Range | +/- 1 % |
| Maximum Rated Output Current (A) | 14 |
| System Status Indicator | Green LED ON-Normal operation Amber LED ON-Bypass operation Red LED ON-Fault |
| Output Connector | L1, L2, L3, Neutral & Ground output wires. Fresh output neutral provided. |
| Surge Protection | Class II Surge Protection |
| PHYSICAL | |
| Cabinet Construction | RAL 7035 light grey powder coated CRCA cabinets |
| Automatic AC-AC Converter Bypass | Standard, will get activated when there is a fault condition |
| Cabinet Weather Protection Ratings | IP 20 (for use in protected indoor environments) |

| | |
|--|--|
| Display | Digital output voltage display through selector switch |
| Mounting | 4 High Quality Castor wheels 2 with brakes |
| Overall Dimension (approx.) | As per Dimension Diagram of Cubical Type 610x610x640 |
| Unpacked Weight (approx.) | 105 kg |
| ENVIRONMENTAL | |
| Cooling Method | Forced air |
| Operating Temperature Range | 0 to + 45 °C |
| Operating Humidity Range | 10 to 90% relative humidity (non-condensing) |
| <i>Note: NPS VRP doesn't need input neutral.</i> | |

TECHNICAL SPECIFICATIONS - NPS-VRP-15000-9339-200M

[jump to index](#)

| | |
|--|--|
| ELECTRICAL | |
| Capacity (in KVA) | 15 |
| Switching Technology | 20 kHz IGBT AC chopper/inverter |
| Voltage Compensation Time | 20 ms typical |
| AC INPUT | |
| Nominal Input Voltage (V) | Three phase 400 |
| Designed Input Voltage Range (V) (voltage regulation accuracy of +/-1%) | 320 - 480 |
| Input Voltage Range (V) (for relaxed output regulation within functional range of 200-250V P-N) | 277 - 520 |
| Nominal Operating Frequency | 47 - 63 Hz |
| Maximum Rated Input Current (A) | 27 |
| AC Input Connector | L1, L2, L3, Neutral & Ground input wires. Input neutral will not be used. |
| Overload & Short Circuit Protection | Through suitably rated input circuit breaker |
| AC OUTPUT | |
| Nominal Output Voltage (V) | Three phase 400 |
| Efficiency | Typical 96% (under 20 - 100 % load condition) |
| Output Voltage Compensation Range | +/- 1 % |
| Maximum Rated Output Current (A) | 22 |
| System Status Indicator | Green LED ON-Normal operation Amber LED ON-Bypass operation Red LED ON-Fault |
| Output Connector | L1, L2, L3, Neutral & Ground output wires. Fresh output neutral provided. |
| Surge Protection | Class II Surge Protection |
| PHYSICAL | |
| Cabinet Construction | RAL 7035 light grey powder coated CRCA cabinets |

| | |
|--|--|
| Automatic AC-AC Converter Bypass | Standard, will get activated when there is a fault condition |
| Cabinet Weather Protection Ratings | IP 20 (for use in protected indoor environments) |
| Display | Digital output voltage display through selector switch |
| Mounting | 4 High Quality Castor wheels 2 with brakes |
| Overall Dimension (approx.) | As per Dimension Diagram of Cubical Type 610x610x640 |
| Unpacked Weight (approx.) | 140 kg |
| ENVIRONMENTAL | |
| Cooling Method | Forced air |
| Operating Temperature Range | 0 to + 45 °C |
| Operating Humidity Range | 10 to 90% relative humidity (non-condensing) |
| <i>Note: NPS VRP doesn't need input neutral.</i> | |

TECHNICAL SPECIFICATIONS - NPS-VRP-20000-9339-200M

[jump to index](#)

| | |
|--|--|
| ELECTRICAL | |
| Capacity (in KVA) | 20 |
| Switching Technology | 20 kHz IGBT AC chopper/inverter |
| Voltage Compensation Time | 20 ms typical |
| AC INPUT | |
| Nominal Input Voltage (V) | Three phase 400 |
| Designed Input Voltage Range (V) (voltage regulation accuracy of +/-1%) | 320 - 480 |
| Input Voltage Range (V) (for relaxed output regulation within functional range of 200-250V P-N) | 277 - 520 |
| Nominal Operating Frequency | 47 - 63 Hz |
| Maximum Rated Input Current (A) | 36 |
| AC Input Connector | L1, L2, L3, Neutral & Ground input wires. Input neutral will not be used. |
| Overload & Short Circuit Protection | Through suitably rated input circuit breaker |
| AC OUTPUT | |
| Nominal Output Voltage (V) | Three phase 400 |
| Efficiency | Typical 96% (under 20 - 100 % load condition) |
| Output Voltage Compensation Range | +/- 1 % |
| Maximum Rated Output Current (A) | 29 |
| System Status Indicator | Green LED ON-Normal operation Amber LED ON-Bypass operation Red LED ON-Fault |
| Output Connector | L1, L2, L3, Neutral & Ground output wires. Fresh output neutral provided. |
| Surge Protection | Class II Surge Protection |

| PHYSICAL | |
|--|--|
| Cabinet Construction | RAL 7035 light grey powder coated CRCA cabinets |
| Automatic AC-AC Converter Bypass | Standard, will get activated when there is a fault condition |
| Cabinet Weather Protection Ratings | IP 20 (for use in protected indoor environments) |
| Display | Digital output voltage display through selector switch |
| Mounting | 4 High Quality Castor wheels 2 with brakes |
| Overall Dimension (approx.) | As per Dimension Diagram of Cubical Type 610x610x640 |
| Unpacked Weight (approx.) | 145 kg |
| ENVIRONMENTAL | |
| Cooling Method | Forced air |
| Operating Temperature Range | 0 to + 45 °C |
| Operating Humidity Range | 10 to 90% relative humidity (non-condensing) |
| <i>Note: NPS VRP doesn't need input neutral.</i> | |

TECHNICAL SPECIFICATIONS - NPS-VRP-25000-9339-200M

[jump to index](#)

| ELECTRICAL | |
|--|--|
| Capacity (in KVA) | 25 |
| Switching Technology | 20 kHz IGBT AC chopper/inverter |
| Voltage Compensation Time | 20 ms typical |
| AC INPUT | |
| Nominal Input Voltage (V) | Three phase 400 |
| Designed Input Voltage Range (V) (voltage regulation accuracy of +/-1%) | 320 - 480 |
| Input Voltage Range (V) (for relaxed output regulation within functional range of 200-250V P-N) | 277 - 520 |
| Nominal Operating Frequency | 47 - 63 Hz |
| Maximum Rated Input Current (A) | 45 |
| AC Input Connector | L1, L2, L3, Neutral & Ground input wires. Input neutral will not be used. |
| Overload & Short Circuit Protection | Through suitably rated input circuit breaker |
| AC OUTPUT | |
| Nominal Output Voltage (V) | Three phase 400 |
| Efficiency | Typical 96% (under 20 - 100 % load condition) |
| Output Voltage Compensation Range | +/- 1 % |
| Maximum Rated Output Current (A) | 36 |
| System Status Indicator | Green LED ON-Normal operation Amber LED ON-Bypass operation Red LED ON-Fault |

| | |
|--|---|
| Output Connector | L1, L2, L3, Neutral & Ground output wires. Fresh output neutral provided. |
| Surge Protection | Class II Surge Protection |
| PHYSICAL | |
| Cabinet Construction | RAL 7035 light grey powder coated CRCA cabinets |
| Automatic AC-AC Converter Bypass | Standard, will get activated when there is a fault condition |
| Cabinet Weather Protection Ratings | IP 20 (for use in protected indoor environments) |
| Display | Digital output voltage display through selector switch |
| Mounting | 4 High Quality Castor wheels 2 with brakes |
| Overall Dimension (approx.) | As per Dimension Diagram of Cubical Type 660x660x720 |
| Unpacked Weight (approx.) | 150 kg |
| ENVIRONMENTAL | |
| Cooling Method | Forced air |
| Operating Temperature Range | 0 to + 45 °C |
| Operating Humidity Range | 10 to 90% relative humidity (non-condensing) |
| <i>Note: NPS VRP doesn't need input neutral.</i> | |

TECHNICAL SPECIFICATIONS - NPS-VRP-30000-9339-200M

[jump to index](#)

| | |
|--|---|
| ELECTRICAL | |
| Capacity (in KVA) | 30 |
| Switching Technology | 20 kHz IGBT AC chopper/inverter |
| Voltage Compensation Time | 20 ms typical |
| AC INPUT | |
| Nominal Input Voltage (V) | Three phase 400 |
| Designed Input Voltage Range (V) (voltage regulation accuracy of +/-1%) | 320 - 480 |
| Input Voltage Range (V) (for relaxed output regulation within functional range of 200-250V P-N) | 277 - 520 |
| Nominal Operating Frequency | 47 - 63 Hz |
| Maximum Rated Input Current (A) | 54 |
| AC Input Connector | L1, L2, L3, Neutral & Ground input wires. Input neutral will not be used. |
| Overload & Short Circuit Protection | Through suitably rated input circuit breaker |
| AC OUTPUT | |
| Nominal Output Voltage (V) | Three phase 400 |
| Efficiency | Typical 96% (under 20 - 100 % load condition) |
| Output Voltage Compensation Range | +/- 1 % |
| Maximum Rated Output Current (A) | 43 |

| | |
|--|--|
| System Status Indicator | Green LED ON-Normal operation Amber LED ON-Bypass operation Red LED ON-Fault |
| Output Connector | L1, L2, L3, Neutral & Ground output wires. Fresh output neutral provided. |
| Surge Protection | Class II Surge Protection |
| PHYSICAL | |
| Cabinet Construction | RAL 7035 light grey powder coated CRCA cabinets |
| Automatic AC-AC Converter Bypass | Standard, will get activated when there is a fault condition |
| Cabinet Weather Protection Ratings | IP 20 (for use in protected indoor environments) |
| Display | Digital output voltage display through selector switch |
| Mounting | 4 High Quality Castor wheels 2 with brakes |
| Overall Dimension (approx.) | As per Dimension Diagram of Cubical Type 660x660x720 |
| Unpacked Weight (approx.) | 180 kg |
| ENVIRONMENTAL | |
| Cooling Method | Forced air |
| Operating Temperature Range | 0 to + 45 °C |
| Operating Humidity Range | 10 to 90% relative humidity (non-condensing) |
| <i>Note: NPS VRP doesn't need input neutral.</i> | |

TECHNICAL SPECIFICATIONS - NPS-VRP-40000-9339-200M

[jump to index](#)

| | |
|--|---|
| ELECTRICAL | |
| Capacity (in KVA) | 40 |
| Switching Technology | 20 kHz IGBT AC chopper/inverter |
| Voltage Compensation Time | 20 ms typical |
| AC INPUT | |
| Nominal Input Voltage (V) | Three phase 400 |
| Designed Input Voltage Range (V) (voltage regulation accuracy of +/-1%) | 320 - 480 |
| Input Voltage Range (V) (for relaxed output regulation within functional range of 200-250V P-N) | 277 - 520 |
| Nominal Operating Frequency | 47 - 63 Hz |
| Maximum Rated Input Current (A) | 72 |
| AC Input Connector | L1, L2, L3, Neutral & Ground input wires. Input neutral will not be used. |
| Overload & Short Circuit Protection | Through suitably rated input circuit breaker |
| AC OUTPUT | |
| Nominal Output Voltage (V) | Three phase 400 |
| Efficiency | Typical 96% (under 20 - 100 % load condition) |

| | |
|--|--|
| Output Voltage Compensation Range | +/- 1 % |
| Maximum Rated Output Current (A) | 58 |
| System Status Indicator | Green LED ON-Normal operation Amber LED ON-Bypass operation Red LED ON-Fault |
| Output Connector | L1, L2, L3, Neutral & Ground output wires. Fresh output neutral provided. |
| Surge Protection | Class II Surge Protection |
| PHYSICAL | |
| Cabinet Construction | RAL 7035 light grey powder coated CRCA cabinets |
| Automatic AC-AC Converter Bypass | Standard, will get activated when there is a fault condition |
| Cabinet Weather Protection Ratings | IP 20 (for use in protected indoor environments) |
| Display | Digital output voltage display through selector switch |
| Mounting | 4 High Quality Castor wheels 2 with brakes |
| Overall Dimension (approx.) | As per Dimension Diagram of Cubical Type 660x660x720 |
| Unpacked Weight (approx.) | 210 kg |
| ENVIRONMENTAL | |
| Cooling Method | Forced air |
| Operating Temperature Range | 0 to + 45 °C |
| Operating Humidity Range | 10 to 90% relative humidity (non-condensing) |
| <i>Note: NPS VRP doesn't need input neutral.</i> | |

TECHNICAL SPECIFICATIONS - NPS-VRP-50000-9339-200M

[jump to index](#)

| | |
|--|---|
| ELECTRICAL | |
| Capacity (in KVA) | 50 |
| Switching Technology | 20 kHz IGBT AC chopper/inverter |
| Voltage Compensation Time | 20 ms typical |
| AC INPUT | |
| Nominal Input Voltage (V) | Three phase 400 |
| Designed Input Voltage Range (V) (voltage regulation accuracy of +/-1%) | 320 - 480 |
| Input Voltage Range (V) (for relaxed output regulation within functional range of 200-250V P-N) | 277 - 520 |
| Nominal Operating Frequency | 47 - 63 Hz |
| Maximum Rated Input Current (A) | 90 |
| AC Input Connector | L1, L2, L3, Neutral & Ground input wires. Input neutral will not be used. |
| Overload & Short Circuit Protection | Through suitably rated input circuit breaker |
| AC OUTPUT | |

| | |
|--|---|
| Nominal Output Voltage (V) | Three phase 400 |
| Efficiency | Typical 96% (under 20 – 100 % load condition) |
| Output Voltage Compensation Range | +/- 1 % |
| Maximum Rated Output Current (A) | 72 |
| System Status Indicator | Green LED ON-Normal operation Amber LED ON-Bypass operation Red LED ON-Fault |
| Output Connector | L1, L2, L3, Neutral & Ground output wires. Fresh output neutral provided. |
| Surge Protection | Class II Surge Protection |
| PHYSICAL | |
| Cabinet Construction | RAL 7035 light grey powder coated CRCA cabinets |
| Automatic AC-AC Converter Bypass | Standard, will get activated when there is a fault condition |
| Cabinet Weather Protection Ratings | IP 20 (for use in protected indoor environments) |
| Display | Digital output voltage display through selector switch |
| Mounting | 4 High Quality Castor wheels 2 with brakes |
| Overall Dimension (approx.) | Cabinet 1: As per Dimension Diagram of Cubical Type 660x660x720 + Cabinet 2: As per Dimension Diagram of Cubical Type 550x550x800 |
| Unpacked Weight (approx.) | 170 kg + 100 kg |
| ENVIRONMENTAL | |
| Cooling Method | Forced air |
| Operating Temperature Range | 0 to + 45 °C |
| Operating Humidity Range | 10 to 90% relative humidity (non-condensing) |
| <i>Note: NPS VRP doesn't need input neutral.</i> | |

TECHNICAL SPECIFICATIONS - NPS-VRP-75000-9339-200M

[jump to index](#)

| | |
|--|---------------------------------|
| ELECTRICAL | |
| Capacity (in KVA) | 75 |
| Switching Technology | 20 kHz IGBT AC chopper/inverter |
| Voltage Compensation Time | 20 ms typical |
| AC INPUT | |
| Nominal Input Voltage (V) | Three phase 400 |
| Designed Input Voltage Range (V) (voltage regulation accuracy of +/-1%) | 320 - 480 |
| Input Voltage Range (V) (for relaxed output regulation within functional range of 200-250V P-N) | 277 - 520 |
| Nominal Operating Frequency | 47 - 63 Hz |

| | |
|--|---|
| Maximum Rated Input Current (A) | 126 |
| AC Input Connector | L1, L2, L3, Neutral & Ground input wires. Input neutral will not be used. |
| Overload & Short Circuit Protection | Through suitably rated input circuit breaker |
| AC OUTPUT | |
| Nominal Output Voltage (V) | Three phase 400 |
| Efficiency | Typical 96% (under 20 – 100 % load condition) |
| Output Voltage Compensation Range | +/- 1 % |
| Maximum Rated Output Current (A) | 101 |
| System Status Indicator | Green LED ON-Normal operation Amber LED ON-Bypass operation Red LED ON-Fault |
| Output Connector | L1, L2, L3, Neutral & Ground output wires. Fresh output neutral provided. |
| Surge Protection | Class II Surge Protection |
| PHYSICAL | |
| Cabinet Construction | RAL 7035 light grey powder coated CRCA cabinets |
| Automatic AC-AC Converter Bypass | Standard, will get activated when there is a fault condition |
| Cabinet Weather Protection Ratings | IP 20 (for use in protected indoor environments) |
| Display | Digital output voltage display through selector switch |
| Mounting | 4 High Quality Castor wheels 2 with brakes |
| Overall Dimension (approx.) | Cabinet 1: As per Dimension Diagram of Cubical Type 888x888x838 + Cabinet 2: As per Dimension Diagram of Cubical Type 550x550x800 |
| Unpacked Weight (approx.) | 280 kg + 130 kg |
| ENVIRONMENTAL | |
| Cooling Method | Forced air |
| Operating Temperature Range | 0 to + 45 °C |
| Operating Humidity Range | 10 to 90% relative humidity (non-condensing) |
| <i>Note: NPS VRP doesn't need input neutral.</i> | |

TECHNICAL SPECIFICATIONS - NPS-VRP-75000-9339-200MP

[jump to index](#)

| | |
|----------------------------------|---------------------------------|
| ELECTRICAL | |
| Capacity (in KVA) | 75 |
| Switching Technology | 20 kHz IGBT AC chopper/inverter |
| Voltage Compensation Time | 20 ms typical |
| AC INPUT | |
| Nominal Input Voltage (V) | Three phase 400 |
| Designed Input Voltage Range (V) | 320 – 480 |

| | |
|--|--|
| (voltage regulation accuracy of +/-1%) | |
| Input Voltage Range (V) (for relaxed output regulation within functional range of 200-250V P-N) | 277 - 520 |
| Nominal Operating Frequency | 47 - 63 Hz |
| Maximum Rated Input Current (A) | 126 |
| AC Input Connector | L1, L2, L3, Neutral & Ground input BUSBAR. Input neutral will not be used. |
| Overload & Short Circuit Protection | Through suitably rated input circuit breaker |
| AC OUTPUT | |
| Nominal Output Voltage (V) | Three phase 415 |
| Efficiency | Typical 96% (under 20 - 100 % load condition) |
| Output Voltage Compensation Range | +/- 1 % |
| Maximum Rated Output Current (A) | 101 |
| System Status Indicator | Green LED ON-Normal operation Amber LED ON-Bypass operation Red LED ON-Fault |
| Output Connector | L1, L2, L3, Neutral & Ground output BUSBAR. Fresh output neutral provided. |
| Surge Protection | Class II Surge Protection |
| PHYSICAL | |
| Cabinet Construction | RAL 7035 light grey powder coated CRCA cabinets |
| Automatic AC-AC Converter Bypass | Standard, will get activated when there is a fault condition |
| Cabinet Weather Protection Ratings | IP 20 (for use in protected indoor environments) |
| Display | Digital output voltage display through selector switch |
| Mounting | Pad mounted |
| Overall Dimension (approx.) | As per Dimension Diagram of Panel Type 650x1220x2400 |
| Unpacked Weight (approx.) | 550 kg |
| ENVIRONMENTAL | |
| Cooling Method | Forced air |
| Operating Temperature Range | 0 to + 45 °C |
| Operating Humidity Range | 10 to 90% relative humidity (non-condensing) |
| <i>Note: NPS VRP doesn't need input neutral.</i> | |

TECHNICAL SPECIFICATIONS - NPS-VRP-100000-9339-200M

[jump to index](#)

| | |
|---------------------------|---------------------------------|
| ELECTRICAL | |
| Capacity (in KVA) | 100 |
| Switching Technology | 20 kHz IGBT AC chopper/inverter |
| Voltage Compensation Time | 20 ms typical |
| AC INPUT | |

| | |
|--|---|
| Nominal Input Voltage (V) | Three phase 400 |
| Designed Input Voltage Range (V) (voltage regulation accuracy of +/-1%) | 320 – 480 |
| Input Voltage Range (V) (for relaxed output regulation within functional range of 200-250V P-N) | 277 – 520 |
| Nominal Operating Frequency | 47 – 63 Hz |
| Maximum Rated Input Current (A) | 180 |
| AC Input Connector | L1, L2, L3, Neutral & Ground input wires. Input neutral will not be used. |
| Overload & Short Circuit Protection | Through suitably rated input circuit breaker |
| AC OUTPUT | |
| Nominal Output Voltage (V) | Three phase 400 |
| Efficiency | Typical 96% (under 20 – 100 % load condition) |
| Output Voltage Compensation Range | +/- 1 % |
| Maximum Rated Output Current (A) | 144 |
| System Status Indicator | Green LED ON-Normal operation Amber LED ON-Bypass operation Red LED ON-Fault |
| Output Connector | L1, L2, L3, Neutral & Ground output wires. Fresh output neutral provided. |
| Surge Protection | Class II Surge Protection |
| PHYSICAL | |
| Cabinet Construction | RAL 7035 light grey powder coated CRCA cabinets |
| Automatic AC-AC Converter Bypass | Standard, will get activated when there is a fault condition |
| Cabinet Weather Protection Ratings | IP 20 (for use in protected indoor environments) |
| Display | Digital output voltage display through selector switch |
| Mounting | 4 High Quality Castor wheels 2 with brakes |
| Overall Dimension (approx.) | Cabinet 1: As per Dimension Diagram of Cubical Type 888x888x838 + Cabinet 2: As per Dimension Diagram of Cubical Type 550x550x800 |
| Unpacked Weight (approx.) | 310 kg + 170 kg |
| ENVIRONMENTAL | |
| Cooling Method | Forced air |
| Operating Temperature Range | 0 to + 45 °C |
| Operating Humidity Range | 10 to 90% relative humidity (non-condensing) |
| <i>Note: NPS VRP doesn't need input neutral.</i> | |

TECHNICAL SPECIFICATIONS - NPS-VRP-100000-9339-200MP

[jump to index](#)

| ELECTRICAL | |
|--|--|
| Capacity (in KVA) | 100 |
| Switching Technology | 20 kHz IGBT AC chopper/inverter |
| Voltage Compensation Time | 20 ms typical |
| AC INPUT | |
| Nominal Input Voltage (V) | Three phase 400 |
| Designed Input Voltage Range (V) (voltage regulation accuracy of +/-1%) | 320 - 480 |
| Input Voltage Range (V) (for relaxed output regulation within functional range of 200-250V P-N) | 277 - 520 |
| Nominal Operating Frequency | 47 - 63 Hz |
| Maximum Rated Input Current (A) | 180 |
| AC Input Connector | L1, L2, L3, Neutral & Ground input BUSBAR. Input neutral will not be used. |
| Overload & Short Circuit Protection | Through suitably rated input circuit breaker |
| AC OUTPUT | |
| Nominal Output Voltage (V) | Three phase 400 |
| Efficiency | Typical 96% (under 20 - 100 % load condition) |
| Output Voltage Compensation Range | +/- 1 % |
| Maximum Rated Output Current (A) | 144 |
| System Status Indicator | Green LED ON-Normal operation Amber LED ON-Bypass operation Red LED ON-Fault |
| Output Connector | L1, L2, L3, Neutral & Ground output BUSBAR. Fresh output neutral provided. |
| Surge Protection | Class II Surge Protection |
| PHYSICAL | |
| Cabinet Construction | RAL 7035 light grey powder coated CRCA cabinets |
| Automatic AC-AC Converter Bypass | Standard, will get activated when there is a fault condition |
| Cabinet Weather Protection Ratings | IP 20 (for use in protected indoor environments) |
| Display | Digital output voltage display through selector switch |
| Mounting | Pad mounted |
| Overall Dimension (approx.) | As per Dimension Diagram of Panel Type 650x1220x2400 |
| Unpacked Weight (approx.) | 630 kg |
| ENVIRONMENTAL | |
| Cooling Method | Forced air |
| Operating Temperature Range | 0 to + 45 °C |
| Operating Humidity Range | 10 to 90% relative humidity (non-condensing) |
| <i>Note: NPS VRP doesn't need input neutral.</i> | |

TECHNICAL SPECIFICATIONS - NPS-VRP-130000-9339-200MP

[jump to index](#)

| ELECTRICAL | |
|--|--|
| Capacity (in KVA) | 130 |
| Switching Technology | 20 kHz IGBT AC chopper/inverter |
| Voltage Compensation Time | 20 ms typical |
| AC INPUT | |
| Nominal Input Voltage (V) | Three phase 400 |
| Designed Input Voltage Range (V) (voltage regulation accuracy of +/-1%) | 320 - 480 |
| Input Voltage Range (V) (for relaxed output regulation within functional range of 200-250V P-N) | 277 - 520 |
| Nominal Operating Frequency | 47 - 63 Hz |
| Maximum Rated Input Current (A) | 235 |
| AC Input Connector | L1, L2, L3, Neutral & Ground input BUSBAR. Input neutral will not be used. |
| Overload & Short Circuit Protection | Through suitably rated input circuit breaker |
| AC OUTPUT | |
| Nominal Output Voltage (V) | Three phase 400 |
| Efficiency | Typical 96% (under 20 - 100 % load condition) |
| Output Voltage Compensation Range | +/- 1 % |
| Maximum Rated Output Current (A) | 188 |
| System Status Indicator | Green LED ON-Normal operation Amber LED ON-Bypass operation Red LED ON-Fault |
| Output Connector | L1, L2, L3, Neutral & Ground output BUSBAR. Fresh output neutral provided. |
| Surge Protection | Class II Surge Protection |
| PHYSICAL | |
| Cabinet Construction | RAL 7035 light grey powder coated CRCA cabinets |
| Automatic AC-AC Converter Bypass | Standard, will get activated when there is a fault condition |
| Cabinet Weather Protection Ratings | IP 20 (for use in protected indoor environments) |
| Display | Digital output voltage display through selector switch |
| Mounting | Pad mounted |
| Overall Dimension (approx.) | As per Dimension Diagram of Panel Type 650x1220x2400 |
| Unpacked Weight (approx.) | 730 kg |
| ENVIRONMENTAL | |
| Cooling Method | Forced air |
| Operating Temperature Range | 0 to + 45 °C |
| Operating Humidity Range | 10 to 90% relative humidity (non-condensing) |
| <i>Note: NPS VRP doesn't need input neutral.</i> | |

TECHNICAL SPECIFICATIONS - NPS-VRP-160000-9339-200MP

[jump to index](#)

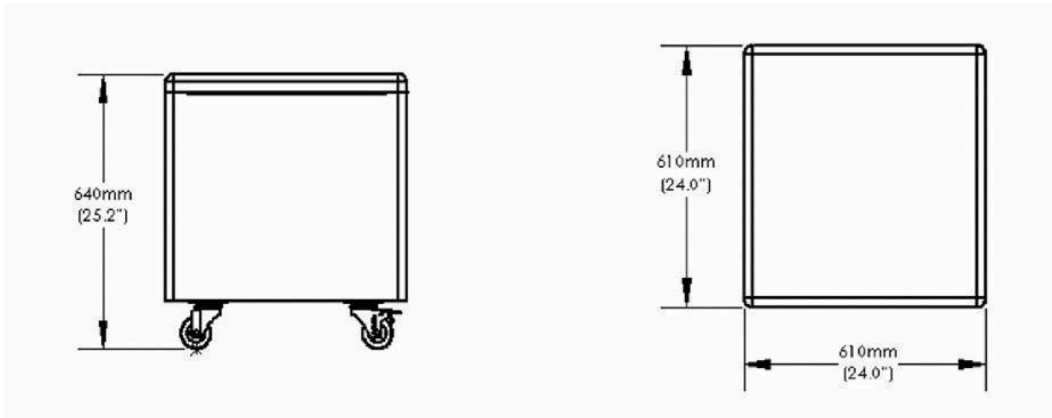
| ELECTRICAL | |
|--|--|
| Capacity (in KVA) | 160 |
| Switching Technology | 20 kHz IGBT AC chopper/inverter |
| Voltage Compensation Time | 20 ms typical |
| AC INPUT | |
| Nominal Input Voltage (V) | Three phase 400 |
| Designed Input Voltage Range (V) (voltage regulation accuracy of +/-1%) | 320 - 480 |
| Input Voltage Range (V) (for relaxed output regulation within functional range of 200-250V P-N) | 277 - 520 |
| Nominal Operating Frequency | 47 - 63 Hz |
| Maximum Rated Input Current (A) | 289 |
| AC Input Connector | L1, L2, L3, Neutral & Ground input BUSBAR. Input neutral will not be used. |
| Overload & Short Circuit Protection | Through suitably rated input circuit breaker |
| AC OUTPUT | |
| Nominal Output Voltage (V) | Three phase 400 |
| Efficiency | Typical 96% (under 20 - 100 % load condition) |
| Output Voltage Compensation Range | +/- 1 % |
| Maximum Rated Output Current (A) | 231 |
| System Status Indicator | Green LED ON-Normal operation Amber LED ON-Bypass operation Red LED ON-Fault |
| Output Connector | L1, L2, L3, Neutral & Ground output BUSBAR. Fresh output neutral provided. |
| Surge Protection | Class II Surge Protection |
| PHYSICAL | |
| Cabinet Construction | RAL 7035 light grey powder coated CRCA cabinets |
| Automatic AC-AC Converter Bypass | Standard, will get activated when there is a fault condition |
| Cabinet Weather Protection Ratings | IP 20 (for use in protected indoor environments) |
| Display | Digital output voltage display through selector switch |
| Mounting | Pad mounted |
| Overall Dimension (approx.) | As per Dimension Diagram of Panel Type 650x1220x2400 |
| Unpacked Weight (approx.) | 780 kg |
| ENVIRONMENTAL | |
| Cooling Method | Forced air |
| Operating Temperature Range | 0 to + 45 °C |
| Operating Humidity Range | 10 to 90% relative humidity (non-condensing) |
| <i>Note: NPS VRP doesn't need input neutral.</i> | |

TECHNICAL SPECIFICATIONS - NPS-VRP-200000-9339-200MP [jump to index](#)

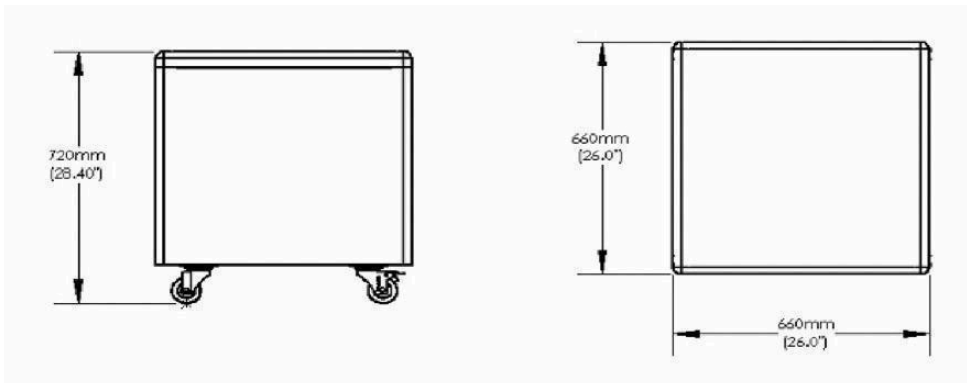
| ELECTRICAL | |
|--|--|
| Capacity (in KVA) | 200 |
| Switching Technology | 20 kHz IGBT AC chopper/inverter |
| Voltage Compensation Time | 20 ms typical |
| AC INPUT | |
| Nominal Input Voltage (V) | Three phase 400 |
| Designed Input Voltage Range (V) (voltage regulation accuracy of +/-1%) | 320 - 480 |
| Input Voltage Range (V) (for relaxed output regulation within functional range of 200-250V P-N) | 277 - 520 |
| Nominal Operating Frequency | 47 - 63 Hz |
| Maximum Rated Input Current (A) | 361 |
| AC Input Connector | L1, L2, L3, Neutral & Ground input BUSBAR. Input neutral will not be used. |
| Overload & Short Circuit Protection | Through suitably rated input circuit breaker |
| AC OUTPUT | |
| Nominal Output Voltage (V) | Three phase 400 |
| Efficiency | Typical 96% (under 20 - 100 % load condition) |
| Output Voltage Compensation Range | +/- 1 % |
| Maximum Rated Output Current (A) | 289 |
| System Status Indicator | Green LED ON-Normal operation Amber LED ON-Bypass operation Red LED ON-Fault |
| Output Connector | L1, L2, L3, Neutral & Ground output BUSBAR. Fresh output neutral provided. |
| Surge Protection | Class II Surge Protection |
| PHYSICAL | |
| Cabinet Construction | RAL 7035 light grey powder coated CRCA cabinets |
| Automatic AC-AC Converter Bypass | Standard, will get activated when there is a fault condition |
| Cabinet Weather Protection Ratings | IP 20 (for use in protected indoor environments) |
| Display | Digital output voltage display through selector switch |
| Mounting | Pad mounted |
| Overall Dimension (approx.) | As per Dimension Diagram of Panel Type 650x1220x2400 |
| Unpacked Weight (approx.) | 830 kg |
| ENVIRONMENTAL | |

| | |
|--|--|
| Cooling Method | Forced air |
| Operating Temperature Range | 0 to + 45 °C |
| Operating Humidity Range | 10 to 90% relative humidity (non-condensing) |
| <i>Note: NPS VRP doesn't need input neutral.</i> | |

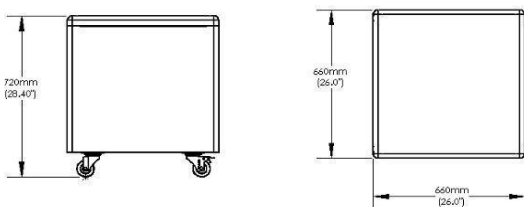
CUBICAL TYPE | 610 x 610 x 640 (in mm)



CUBICAL TYPE | 660 x 660 x 720 (in mm)

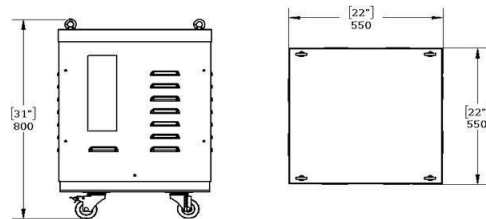


CUBICAL TYPE | 660 x 660 x 720 (in mm)

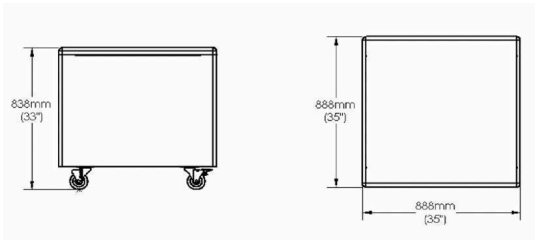


+

CUBICAL TYPE | 550 x 550 x 800 (in mm)

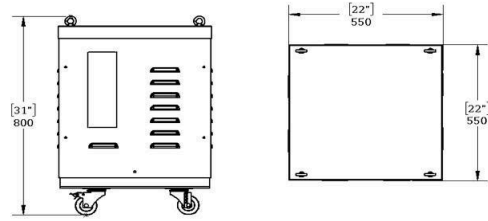


CUBICAL TYPE | 888 x 888 x 838 (in mm)

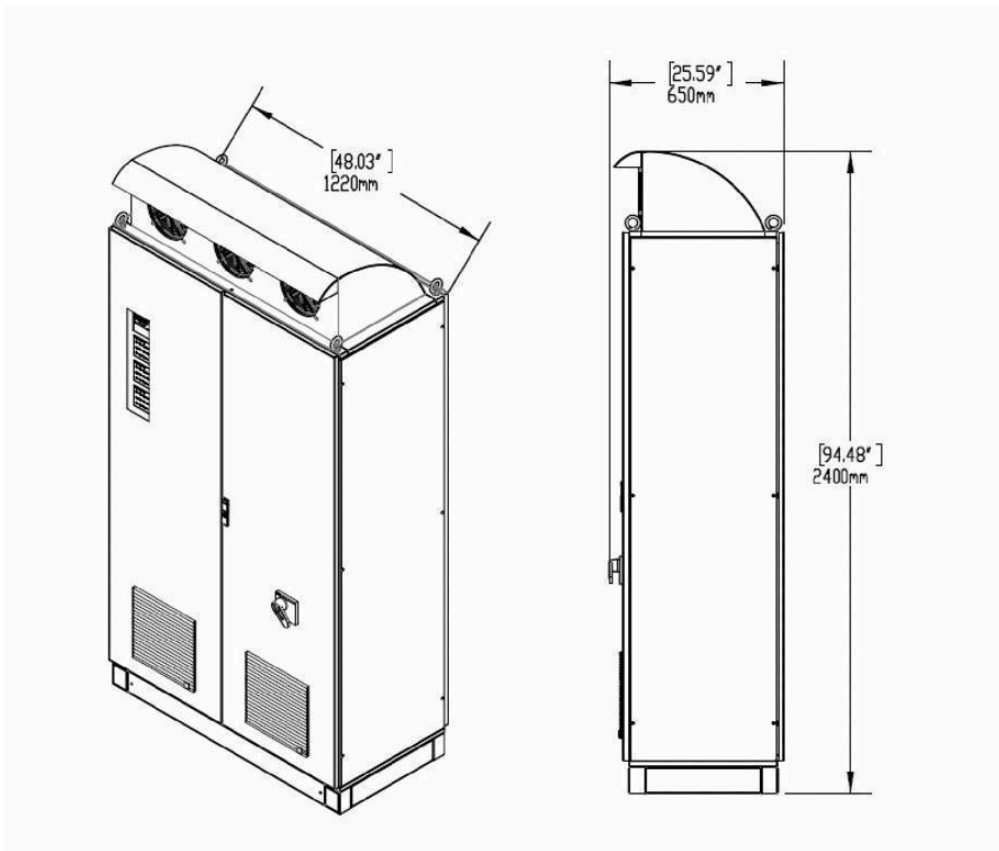


+

CUBICAL TYPE | 550 x 550 x 800 (in mm)






PANEL TYPE | 650 x 1220 x 2400 (in mm)



Contact Us

[jump to index](#)

Contact us for a **free demo trial** or a **customised quote** or just a hello!

 +91-8000455999 |  +91-7567722666 |  info@tsipower.in

 TSi Power Pvt Ltd, 154-155, Siddhi Industrial Infra Park, Waghodia,
Vadodara, Gujarat 391760, India |  www.tsipower.in