

PRODUCT SPECSHEET

PRODUCT: NPS VRP

CATEGORY: STATIC VOLTAGE STABILIZER / REGULATOR

SUB CATEGORY: NEUTRAL PROVIDER-CUM-STABILIZER

MODEL: THREE PHASE 6.5KVA TO 120KVA, $\pm 26\%$



TSi Power Pvt Ltd, 154-55, Siddhi Industrial Infra Park, Waghodia,
Vadodara-391760, Gujarat, India | +91-8000455999 | info@tsipower.in

DISCLAIMER: The information provided is for representative purposes only and does not constitute a warranty. Users are responsible for verifying the suitability of the product for their specific applications.

Index (click to directly jump to a section)

- ABOUT THE PRODUCT
- FEATURES & BENEFITS
- ABOUT THE COMPANY

- TECHNICAL SPECIFICATIONS - NPS-VRP-6500-9339-260M
- TECHNICAL SPECIFICATIONS - NPS-VRP-10000-9339-260M
- TECHNICAL SPECIFICATIONS - NPS-VRP-15000-9339-260M
- TECHNICAL SPECIFICATIONS - NPS-VRP-21000-9339-260M
- TECHNICAL SPECIFICATIONS - NPS-VRP-25000-9339-260M
- TECHNICAL SPECIFICATIONS - NPS-VRP-32000-9339-260M
- TECHNICAL SPECIFICATIONS - NPS-VRP-50000-9339-260M
- TECHNICAL SPECIFICATIONS - NPS-VRP-50000-9339-260MP
- TECHNICAL SPECIFICATIONS - NPS-VRP-75000-9339-260M
- TECHNICAL SPECIFICATIONS - NPS-VRP-75000-9339-260MP
- TECHNICAL SPECIFICATIONS - NPS-VRP-100000-9339-260MP
- TECHNICAL SPECIFICATIONS - NPS-VRP-120000-9339-260MP

- DIMENSION DIAGRAMS
- CONTACT US

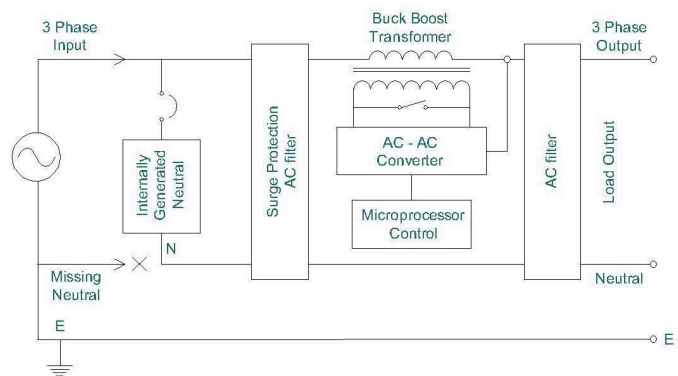
The **TSi NPS VRP series** is a cost-effective three phase automatic precision AC voltage regulator that ensures maintenance-free operation of electronic equipment over a wide range of input voltage range without having the need of an input neutral for carrying out its operation.



TSi NPS VRP series is designed to provide precision power with a typical response cum correction time of 20 milliseconds to comply with the requirements of the ITIC curve for power supply to electronics. This has revolutionised the industry, as the existing technologies become either obsolete or extremely expensive. Hence, we don't call them our competitors. They are simply 'wrong solutions' for the existing power problems.

How does the TSi NPS VRP work?

The high frequency Insulated Gate Bipolar Transistor (IGBT) driven converter takes the incoming AC power, measures it against the nominal voltage reference and adds or subtracts voltage to achieve a precisely regulated 230V output. The automatic bypass will be activated when there is a fault condition. Green LEDs are used to indicate Normal (regulating mode) operation.



[jump to index](#)

Features & Benefits -

- NPS VRP doesn't need input neutral.
- Ability to provide healthy output even if there is a break/failure of incoming neutral.
- Output load can be single phase as well as three phase.
- No change in wiring is required. Input will be three phase 4 wire and output will be three phase 5 wire.
- Static technology results in quiet operation, high product up-time & low maintenance.
- Provides optimum voltage compensation, sag control, swell control, spike & noise control.
- Provides output voltage to within +/- 1% for superior regulation.
- Internal surge voltage protection assures trouble-free operation.
- AC input circuit breakers and load over current protection prevents costly equipment damage.
- Tight control over electronic card failures, data corruption and machine breakdowns result in higher productivity, lower operating costs, and greater consumer comfort.
- Lightweight and compact size makes for ease of installation.

[jump to index](#)

The TSi Philosophy - Powering Happiness

TSi Power is a renowned and a trusted name in the power conditioning industry. Since 2011, we have built a workplace that *nurtures* happy employees to *create* great products, in turn, making *happy customers*. Our founders strongly believe and have cultivated this within the company. There's a reason why we have become one of the *world's most trusted* power conditioners.

Powering Happiness is both our business goal and our work culture.

Our Facility in Vadodara, India



[jump to index](#)

TECHNICAL SPECIFICATIONS - NPS-VRP-6500-9339-260M

[jump to index](#)

ELECTRICAL	
Capacity (in KVA)	6.5
Switching Technology	20 kHz IGBT AC chopper/inverter
Voltage Compensation Time	20 ms typical
AC INPUT	
Nominal Input Voltage (V)	Three phase 400
Designed Input Voltage Range (V) (voltage regulation accuracy of +/-1%)	295 - 500
Input Voltage Range (V) (for relaxed output regulation within functional range of 200-250V P-N)	256 - 520
Nominal Operating Frequency	47 - 63 Hz
Maximum Rated Input Current (A)	13
AC Input Connector	L1, L2, L3, Neutral & Ground input wires. Input neutral will not be used.
Overload & Short Circuit Protection	Through suitably rated input circuit breaker
AC OUTPUT	
Nominal Output Voltage (V)	Three phase 400
Efficiency	Typical 95% (under 20 - 100 % load condition)
Output Voltage Compensation Range	+/- 1 %
Maximum Rated Output Current (A)	9
System Status Indicator	Green LED ON-Normal operation Amber LED ON-Bypass operation Red LED ON-Fault
Output Connector	L1, L2, L3, Neutral & Ground output wires. Fresh output neutral provided.
Surge Protection	Class II Surge Protection
PHYSICAL	
Cabinet Construction	RAL 7035 light grey powder coated CRCA cabinets
Automatic AC-AC Converter Bypass	Standard, will get activated when there is a fault condition
Cabinet Weather Protection Ratings	IP 20 (for use in protected indoor environments)
Display	Digital output voltage display through selector switch
Mounting	4 High Quality Castor wheels 2 with brakes
Overall Dimension (approx.)	As per Dimension Diagram of Cubical Type 610x610x640
Unpacked Weight (approx.)	95 kg
ENVIRONMENTAL	
Cooling Method	Forced air
Operating Temperature Range	0 to + 45 °C
Operating Humidity Range	10 to 90% relative humidity (non-condensing)
<i>Note: NPS VRP doesn't need input neutral.</i>	

TECHNICAL SPECIFICATIONS - NPS-VRP-10000-9339-260M

[jump to index](#)

ELECTRICAL	
Capacity (in KVA)	10
Switching Technology	20 kHz IGBT AC chopper/inverter
Voltage Compensation Time	20 ms typical
AC INPUT	
Nominal Input Voltage (V)	Three phase 400
Designed Input Voltage Range (V) (voltage regulation accuracy of +/-1%)	295 - 500
Input Voltage Range (V) (for relaxed output regulation within functional range of 200-250V P-N)	256 - 520
Nominal Operating Frequency	47 - 63 Hz
Maximum Rated Input Current (A)	20
AC Input Connector	L1, L2, L3, Neutral & Ground input wires. Input neutral will not be used.
Overload & Short Circuit Protection	Through suitably rated input circuit breaker
AC OUTPUT	
Nominal Output Voltage (V)	Three phase 400
Efficiency	Typical 95% (under 20 - 100 % load condition)
Output Voltage Compensation Range	+/- 1 %
Maximum Rated Output Current (A)	14
System Status Indicator	Green LED ON-Normal operation Amber LED ON-Bypass operation Red LED ON-Fault
Output Connector	L1, L2, L3, Neutral & Ground output wires. Fresh output neutral provided.
Surge Protection	Class II Surge Protection
PHYSICAL	
Cabinet Construction	RAL 7035 light grey powder coated CRCA cabinets
Automatic AC-AC Converter Bypass	Standard, will get activated when there is a fault condition
Cabinet Weather Protection Ratings	IP 20 (for use in protected indoor environments)
Display	Digital output voltage display through selector switch
Mounting	4 High Quality Castor wheels 2 with brakes
Overall Dimension (approx.)	As per Dimension Diagram of Cubical Type 610x610x640
Unpacked Weight (approx.)	140 kg
ENVIRONMENTAL	
Cooling Method	Forced air
Operating Temperature Range	0 to + 45 °C
Operating Humidity Range	10 to 90% relative humidity (non-condensing)
<i>Note: NPS VRP doesn't need input neutral.</i>	

TECHNICAL SPECIFICATIONS - NPS-VRP-15000-9339-260M

[jump to index](#)

ELECTRICAL	
Capacity (in KVA)	15
Switching Technology	20 kHz IGBT AC chopper/inverter
Voltage Compensation Time	20 ms typical
AC INPUT	
Nominal Input Voltage (V)	Three phase 400
Designed Input Voltage Range (V) (voltage regulation accuracy of +/-1%)	295 - 500
Input Voltage Range (V) (for relaxed output regulation within functional range of 200-250V P-N)	256 - 520
Nominal Operating Frequency	47 - 63 Hz
Maximum Rated Input Current (A)	29
AC Input Connector	L1, L2, L3, Neutral & Ground input wires. Input neutral will not be used.
Overload & Short Circuit Protection	Through suitably rated input circuit breaker
AC OUTPUT	
Nominal Output Voltage (V)	Three phase 400
Efficiency	Typical 95% (under 20 - 100 % load condition)
Output Voltage Compensation Range	+/- 1 %
Maximum Rated Output Current (A)	22
System Status Indicator	Green LED ON-Normal operation Amber LED ON-Bypass operation Red LED ON-Fault
Output Connector	L1, L2, L3, Neutral & Ground output wires. Fresh output neutral provided.
Surge Protection	Class II Surge Protection
PHYSICAL	
Cabinet Construction	RAL 7035 light grey powder coated CRCA cabinets
Automatic AC-AC Converter Bypass	Standard, will get activated when there is a fault condition
Cabinet Weather Protection Ratings	IP 20 (for use in protected indoor environments)
Display	Digital output voltage display through selector switch
Mounting	4 High Quality Castor wheels 2 with brakes
Overall Dimension (approx.)	As per Dimension Diagram of Cubical Type 610x610x640
Unpacked Weight (approx.)	150 kg
ENVIRONMENTAL	
Cooling Method	Forced air
Operating Temperature Range	0 to + 45 °C
Operating Humidity Range	10 to 90% relative humidity (non-condensing)
<i>Note: NPS VRP doesn't need input neutral.</i>	

TECHNICAL SPECIFICATIONS - NPS-VRP-21000-9339-260M

[jump to index](#)

ELECTRICAL	
Capacity (in KVA)	21
Switching Technology	20 kHz IGBT AC chopper/inverter
Voltage Compensation Time	20 ms typical
AC INPUT	
Nominal Input Voltage (V)	Three phase 400
Designed Input Voltage Range (V) (voltage regulation accuracy of +/-1%)	295 - 500
Input Voltage Range (V) (for relaxed output regulation within functional range of 200-250V P-N)	256 - 520
Nominal Operating Frequency	47 - 63 Hz
Maximum Rated Input Current (A)	41
AC Input Connector	L1, L2, L3, Neutral & Ground input wires. Input neutral will not be used.
Overload & Short Circuit Protection	Through suitably rated input circuit breaker
AC OUTPUT	
Nominal Output Voltage (V)	Three phase 400
Efficiency	Typical 95% (under 20 - 100 % load condition)
Output Voltage Compensation Range	+/- 1 %
Maximum Rated Output Current (A)	30
System Status Indicator	Green LED ON-Normal operation Amber LED ON-Bypass operation Red LED ON-Fault
Output Connector	L1, L2, L3, Neutral & Ground output wires. Fresh output neutral provided.
Surge Protection	Class II Surge Protection
PHYSICAL	
Cabinet Construction	RAL 7035 light grey powder coated CRCA cabinets
Automatic AC-AC Converter Bypass	Standard, will get activated when there is a fault condition
Cabinet Weather Protection Ratings	IP 20 (for use in protected indoor environments)
Display	Digital output voltage display through selector switch
Mounting	4 High Quality Castor wheels 2 with brakes
Overall Dimension (approx.)	As per Dimension Diagram of Cubical Type 610x610x640
Unpacked Weight (approx.)	175 kg
ENVIRONMENTAL	
Cooling Method	Forced air
Operating Temperature Range	0 to + 45 °C
Operating Humidity Range	10 to 90% relative humidity (non-condensing)
<i>Note: NPS VRP doesn't need input neutral.</i>	

TECHNICAL SPECIFICATIONS - NPS-VRP-25000-9339-260M

[jump to index](#)

ELECTRICAL	
Capacity (in KVA)	25
Switching Technology	20 kHz IGBT AC chopper/inverter
Voltage Compensation Time	20 ms typical
AC INPUT	
Nominal Input Voltage (V)	Three phase 400
Designed Input Voltage Range (V) (voltage regulation accuracy of +/-1%)	295 - 500
Input Voltage Range (V) (for relaxed output regulation within functional range of 200-250V P-N)	256 - 520
Nominal Operating Frequency	47 - 63 Hz
Maximum Rated Input Current (A)	49
AC Input Connector	L1, L2, L3, Neutral & Ground input wires. Input neutral will not be used.
Overload & Short Circuit Protection	Through suitably rated input circuit breaker
AC OUTPUT	
Nominal Output Voltage (V)	Three phase 400
Efficiency	Typical 95% (under 20 - 100 % load condition)
Output Voltage Compensation Range	+/- 1 %
Maximum Rated Output Current (A)	36
System Status Indicator	Green LED ON-Normal operation Amber LED ON-Bypass operation Red LED ON-Fault
Output Connector	L1, L2, L3, Neutral & Ground output wires. Fresh output neutral provided.
Surge Protection	Class II Surge Protection
PHYSICAL	
Cabinet Construction	RAL 7035 light grey powder coated CRCA cabinets
Automatic AC-AC Converter Bypass	Standard, will get activated when there is a fault condition
Cabinet Weather Protection Ratings	IP 20 (for use in protected indoor environments)
Display	Digital output voltage display through selector switch
Mounting	4 High Quality Castor wheels 2 with brakes
Overall Dimension (approx.)	As per Dimension Diagram of Cubical Type 888x888x838
Unpacked Weight (approx.)	185 kg
ENVIRONMENTAL	
Cooling Method	Forced air
Operating Temperature Range	0 to + 45 °C
Operating Humidity Range	10 to 90% relative humidity (non-condensing)
<i>Note: NPS VRP doesn't need input neutral.</i>	

TECHNICAL SPECIFICATIONS - NPS-VRP-32000-9339-260M

[jump to index](#)

ELECTRICAL	
Capacity (in KVA)	32
Switching Technology	20 kHz IGBT AC chopper/inverter
Voltage Compensation Time	20 ms typical
AC INPUT	
Nominal Input Voltage (V)	Three phase 400
Designed Input Voltage Range (V) (voltage regulation accuracy of +/-1%)	295 - 500
Input Voltage Range (V) (for relaxed output regulation within functional range of 200-250V P-N)	256 - 520
Nominal Operating Frequency	47 - 63 Hz
Maximum Rated Input Current (A)	63
AC Input Connector	L1, L2, L3, Neutral & Ground input wires. Input neutral will not be used.
Overload & Short Circuit Protection	Through suitably rated input circuit breaker
AC OUTPUT	
Nominal Output Voltage (V)	Three phase 400
Efficiency	Typical 95% (under 20 - 100 % load condition)
Output Voltage Compensation Range	+/- 1 %
Maximum Rated Output Current (A)	46
System Status Indicator	Green LED ON-Normal operation Amber LED ON-Bypass operation Red LED ON-Fault
Output Connector	L1, L2, L3, Neutral & Ground output wires. Fresh output neutral provided.
Surge Protection	Class II Surge Protection
PHYSICAL	
Cabinet Construction	RAL 7035 light grey powder coated CRCA cabinets
Automatic AC-AC Converter Bypass	Standard, will get activated when there is a fault condition
Cabinet Weather Protection Ratings	IP 20 (for use in protected indoor environments)
Display	Digital output voltage display through selector switch
Mounting	4 High Quality Castor wheels 2 with brakes
Overall Dimension (approx.)	As per Dimension Diagram of Cubical Type 888x888x838
Unpacked Weight (approx.)	200 kg
ENVIRONMENTAL	
Cooling Method	Forced air
Operating Temperature Range	0 to + 45 °C
Operating Humidity Range	10 to 90% relative humidity (non-condensing)
<i>Note: NPS VRP doesn't need input neutral.</i>	

TECHNICAL SPECIFICATIONS - NPS-VRP-50000-9339-260M

[jump to index](#)

ELECTRICAL	
Capacity (in KVA)	50
Switching Technology	20 kHz IGBT AC chopper/inverter
Voltage Compensation Time	20 ms typical
AC INPUT	
Nominal Input Voltage (V)	Three phase 400
Designed Input Voltage Range (V) (voltage regulation accuracy of +/-1%)	295 - 500
Input Voltage Range (V) (for relaxed output regulation within functional range of 200-250V P-N)	256 - 520
Nominal Operating Frequency	47 - 63 Hz
Maximum Rated Input Current (A)	98
AC Input Connector	L1, L2, L3, Neutral & Ground input wires. Input neutral will not be used.
Overload & Short Circuit Protection	Through suitably rated input circuit breaker
AC OUTPUT	
Nominal Output Voltage (V)	Three phase 400
Efficiency	Typical 95% (under 20 - 100 % load condition)
Output Voltage Compensation Range	+/- 1 %
Maximum Rated Output Current (A)	72
System Status Indicator	Green LED ON-Normal operation Amber LED ON-Bypass operation Red LED ON-Fault
Output Connector	L1, L2, L3, Neutral & Ground output wires. Fresh output neutral provided.
Surge Protection	Class II Surge Protection
PHYSICAL	
Cabinet Construction	RAL 7035 light grey powder coated CRCA cabinets
Automatic AC-AC Converter Bypass	Standard, will get activated when there is a fault condition
Cabinet Weather Protection Ratings	IP 20 (for use in protected indoor environments)
Display	Digital output voltage display through selector switch
Mounting	4 High Quality Castor wheels 2 with brakes
Overall Dimension (approx.)	Cabinet 1: As per Dimension Diagram of Cubical Type 888x888x838 + Cabinet 2: As per Dimension Diagram of Cubical Type 550x550x800
Unpacked Weight (approx.)	285 kg + 120 kg
ENVIRONMENTAL	

Cooling Method	Forced air
Operating Temperature Range	0 to + 45 °C
Operating Humidity Range	10 to 90% relative humidity (non-condensing)
<i>Note: NPS VRP doesn't need input neutral.</i>	

TECHNICAL SPECIFICATIONS - NPS-VRP-50000-9339-260MP

[jump to index](#)

ELECTRICAL	
Capacity (in KVA)	50
Switching Technology	20 kHz IGBT AC chopper/inverter
Voltage Compensation Time	20 ms typical
AC INPUT	
Nominal Input Voltage (V)	Three phase 400
Designed Input Voltage Range (V) (voltage regulation accuracy of +/-1%)	295 - 500
Input Voltage Range (V) (for relaxed output regulation within functional range of 200-250V P-N)	256 - 520
Nominal Operating Frequency	47 - 63 Hz
Maximum Rated Input Current (A)	98
AC Input Connector	L1, L2, L3, Neutral & Ground input BUSBAR. Input neutral will not be used.
Overload & Short Circuit Protection	Through suitably rated input circuit breaker
AC OUTPUT	
Nominal Output Voltage (V)	Three phase 400
Efficiency	Typical 95% (under 20 - 100 % load condition)
Output Voltage Compensation Range	+/- 1 %
Maximum Rated Output Current (A)	72
System Status Indicator	Green LED ON-Normal operation Amber LED ON-Bypass operation Red LED ON-Fault
Output Connector	L1, L2, L3, Neutral & Ground output BUSBAR. Fresh output neutral provided.
Surge Protection	Class II Surge Protection
PHYSICAL	
Cabinet Construction	RAL 7035 light grey powder coated CRCA cabinets
Automatic AC-AC Converter Bypass	Standard, will get activated when there is a fault condition
Cabinet Weather Protection Ratings	IP 20 (for use in protected indoor environments)
Display	Digital output voltage display through selector switch
Mounting	Pad mounted
Overall Dimension (approx.)	As per Dimension Diagram of Panel Type 650x1220x2400

Unpacked Weight (approx.)	520 kg
ENVIRONMENTAL	
Cooling Method	Forced air
Operating Temperature Range	0 to + 45 °C
Operating Humidity Range	10 to 90% relative humidity (non-condensing)
<i>Note: NPS VRP doesn't need input neutral.</i>	

TECHNICAL SPECIFICATIONS - NPS-VRP-75000-9339-260M

[jump to index](#)

ELECTRICAL	
Capacity (in KVA)	75
Switching Technology	20 kHz IGBT AC chopper/inverter
Voltage Compensation Time	20 ms typical
AC INPUT	
Nominal Input Voltage (V)	Three phase 400
Designed Input Voltage Range (V) (voltage regulation accuracy of +/-1%)	295 - 500
Input Voltage Range (V) (for relaxed output regulation within functional range of 200-250V P-N)	256 - 520
Nominal Operating Frequency	47 - 63 Hz
Maximum Rated Input Current (A)	147
AC Input Connector	L1, L2, L3, Neutral & Ground input wires. Input neutral will not be used.
Overload & Short Circuit Protection	Through suitably rated input circuit breaker
AC OUTPUT	
Nominal Output Voltage (V)	Three phase 400
Efficiency	Typical 95% (under 20 - 100 % load condition)
Output Voltage Compensation Range	+/- 1 %
Maximum Rated Output Current (A)	108
System Status Indicator	Green LED ON-Normal operation Amber LED ON-Bypass operation Red LED ON-Fault
Output Connector	L1, L2, L3, Neutral & Ground output wires. Fresh output neutral provided.
Surge Protection	Class II Surge Protection
PHYSICAL	
Cabinet Construction	RAL 7035 light grey powder coated CRCA cabinets
Automatic AC-AC Converter Bypass	Standard, will get activated when there is a fault condition
Cabinet Weather Protection Ratings	IP 20 (for use in protected indoor environments)
Display	Digital output voltage display through selector switch

Mounting	4 High Quality Castor wheels 2 with brakes
Overall Dimension (approx.)	Cabinet 1: As per Dimension Diagram of Cubical Type 888x888x838 + Cabinet 2: As per Dimension Diagram of Cubical Type 550x550x800
Unpacked Weight (approx.)	310 kg + 140 kg
ENVIRONMENTAL	
Cooling Method	Forced air
Operating Temperature Range	0 to + 45 °C
Operating Humidity Range	10 to 90% relative humidity (non-condensing)
<i>Note: NPS VRP doesn't need input neutral.</i>	

TECHNICAL SPECIFICATIONS - NPS-VRP-75000-9339-260MP

[jump to index](#)

ELECTRICAL	
Capacity (in KVA)	75
Switching Technology	20 kHz IGBT AC chopper/inverter
Voltage Compensation Time	20 ms typical
AC INPUT	
Nominal Input Voltage (V)	Three phase 400
Designed Input Voltage Range (V) (voltage regulation accuracy of +/-1%)	295 - 500
Input Voltage Range (V) (for relaxed output regulation within functional range of 200-250V P-N)	256 - 520
Nominal Operating Frequency	47 - 63 Hz
Maximum Rated Input Current (A)	147
AC Input Connector	L1, L2, L3, Neutral & Ground input BUSBAR. Input neutral will not be used.
Overload & Short Circuit Protection	Through suitably rated input circuit breaker
AC OUTPUT	
Nominal Output Voltage (V)	Three phase 400
Efficiency	Typical 95% (under 20 - 100 % load condition)
Output Voltage Compensation Range	+/- 1 %
Maximum Rated Output Current (A)	108
System Status Indicator	Green LED ON-Normal operation Amber LED ON-Bypass operation Red LED ON-Fault
Output Connector	L1, L2, L3, Neutral & Ground output BUSBAR. Fresh output neutral provided.
Surge Protection	Class II Surge Protection

PHYSICAL	
Cabinet Construction	RAL 7035 light grey powder coated CRCA cabinets
Automatic AC-AC Converter Bypass	Standard, will get activated when there is a fault condition
Cabinet Weather Protection Ratings	IP 20 (for use in protected indoor environments)
Display	Digital output voltage display through selector switch
Mounting	Pad mounted
Overall Dimension (approx.)	As per Dimension Diagram of Panel Type 650x1220x2400
Unpacked Weight (approx.)	560 kg
ENVIRONMENTAL	
Cooling Method	Forced air
Operating Temperature Range	0 to + 45 °C
Operating Humidity Range	10 to 90% relative humidity (non-condensing)
<i>Note: NPS VRP doesn't need input neutral.</i>	

TECHNICAL SPECIFICATIONS - NPS-VRP-100000-9339-260MP [jump to index](#)

ELECTRICAL	
Capacity (in KVA)	100
Switching Technology	20 kHz IGBT AC chopper/inverter
Voltage Compensation Time	20 ms typical
AC INPUT	
Nominal Input Voltage (V)	Three phase 400
Designed Input Voltage Range (V) (voltage regulation accuracy of +/-1%)	295 - 500
Input Voltage Range (V) (for relaxed output regulation within functional range of 200-250V P-N)	256 - 520
Nominal Operating Frequency	47 - 63 Hz
Maximum Rated Input Current (A)	196
AC Input Connector	L1, L2, L3, Neutral & Ground input BUSBAR. Input neutral will not be used.
Overload & Short Circuit Protection	Through suitably rated input circuit breaker
AC OUTPUT	
Nominal Output Voltage (V)	Three phase 400
Efficiency	Typical 95% (under 20 - 100 % load condition)
Output Voltage Compensation Range	+/- 1 %
Maximum Rated Output Current (A)	144
System Status Indicator	Green LED ON-Normal operation Amber LED ON-Bypass operation Red LED ON-Fault

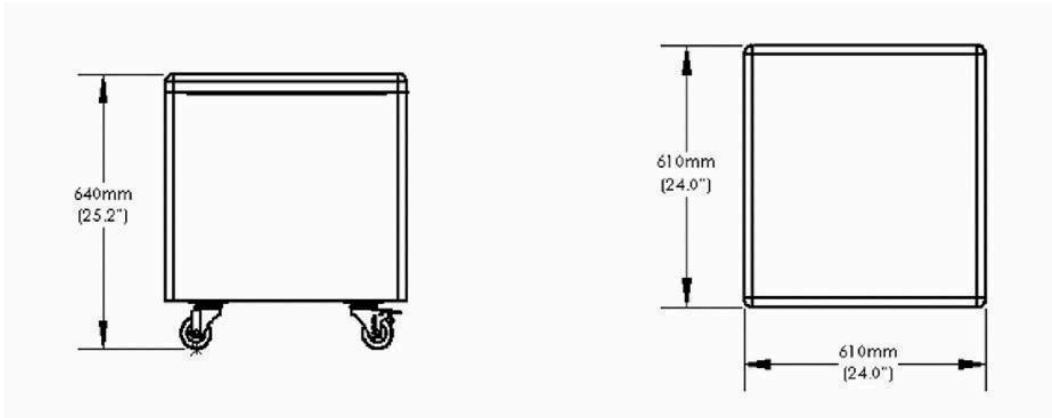
Output Connector	L1, L2, L3, Neutral & Ground output BUSBAR. Fresh output neutral provided.
Surge Protection	Class II Surge Protection
PHYSICAL	
Cabinet Construction	RAL 7035 light grey powder coated CRCA cabinets
Automatic AC-AC Converter Bypass	Standard, will get activated when there is a fault condition
Cabinet Weather Protection Ratings	IP 20 (for use in protected indoor environments)
Display	Digital output voltage display through selector switch
Mounting	Pad mounted
Overall Dimension (approx.)	As per Dimension Diagram of Panel Type 650x1220x2400
Unpacked Weight (approx.)	740 kg
ENVIRONMENTAL	
Cooling Method	Forced air
Operating Temperature Range	0 to + 45 °C
Operating Humidity Range	10 to 90% relative humidity (non-condensing)
<i>Note: NPS VRP doesn't need input neutral.</i>	

TECHNICAL SPECIFICATIONS - NPS-VRP-120000-9339-260MP [jump to index](#)

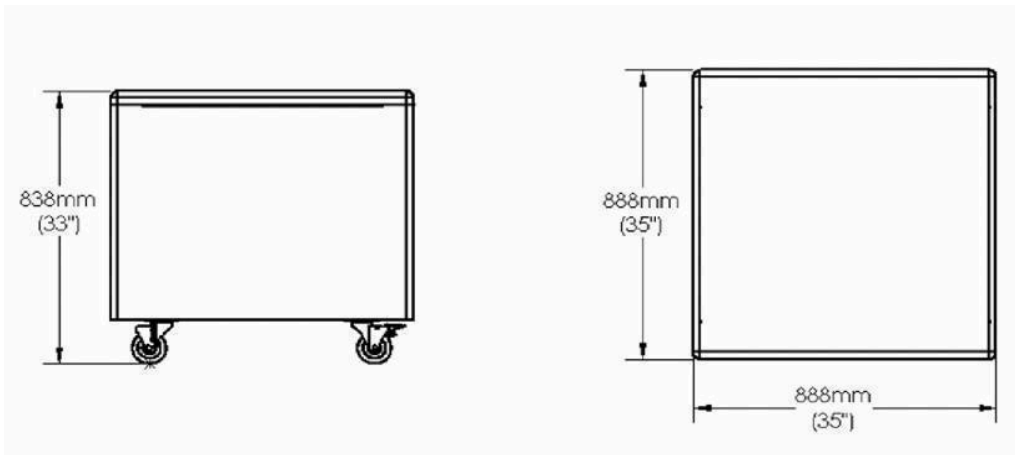
ELECTRICAL	
Capacity (in KVA)	120
Switching Technology	20 kHz IGBT AC chopper/inverter
Voltage Compensation Time	20 ms typical
AC INPUT	
Nominal Input Voltage (V)	Three phase 400
Designed Input Voltage Range (V) (voltage regulation accuracy of +/-1%)	295 - 500
Input Voltage Range (V) (for relaxed output regulation within functional range of 200-250V P-N)	256 - 520
Nominal Operating Frequency	47 - 63 Hz
Maximum Rated Input Current (A)	235
AC Input Connector	L1, L2, L3, Neutral & Ground input BUSBAR. Input neutral will not be used.
Overload & Short Circuit Protection	Through suitably rated input circuit breaker
AC OUTPUT	
Nominal Output Voltage (V)	Three phase 400
Efficiency	Typical 95% (under 20 - 100 % load condition)
Output Voltage Compensation Range	+/- 1 %
Maximum Rated Output Current (A)	173

System Status Indicator	Green LED ON-Normal operation Amber LED ON-Bypass operation Red LED ON-Fault
Output Connector	L1, L2, L3, Neutral & Ground output BUSBAR. Fresh output neutral provided.
Surge Protection	Class II Surge Protection
PHYSICAL	
Cabinet Construction	RAL 7035 light grey powder coated CRCA cabinets
Automatic AC-AC Converter Bypass	Standard, will get activated when there is a fault condition
Cabinet Weather Protection Ratings	IP 20 (for use in protected indoor environments)
Display	Digital output voltage display through selector switch
Mounting	Pad mounted
Overall Dimension (approx.)	As per Dimension Diagram of Panel Type 650x1220x2400
Unpacked Weight (approx.)	840 kg
ENVIRONMENTAL	
Cooling Method	Forced air
Operating Temperature Range	0 to + 45 °C
Operating Humidity Range	10 to 90% relative humidity (non-condensing)
<i>Note: NPS VRP doesn't need input neutral.</i>	

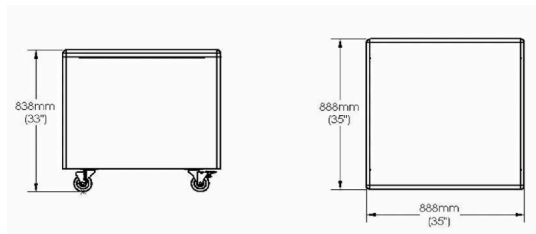
CUBICAL TYPE | 610 x 610 x 640 (in mm)



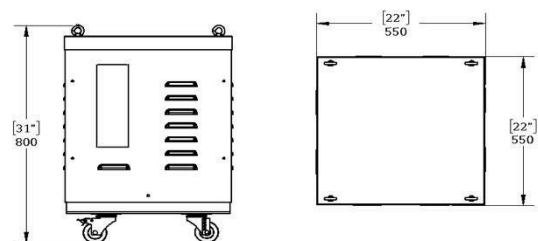
CUBICAL TYPE | 888 x 888 x 838 (in mm)



CUBICAL TYPE | 888 x 888 x 838 (in mm)

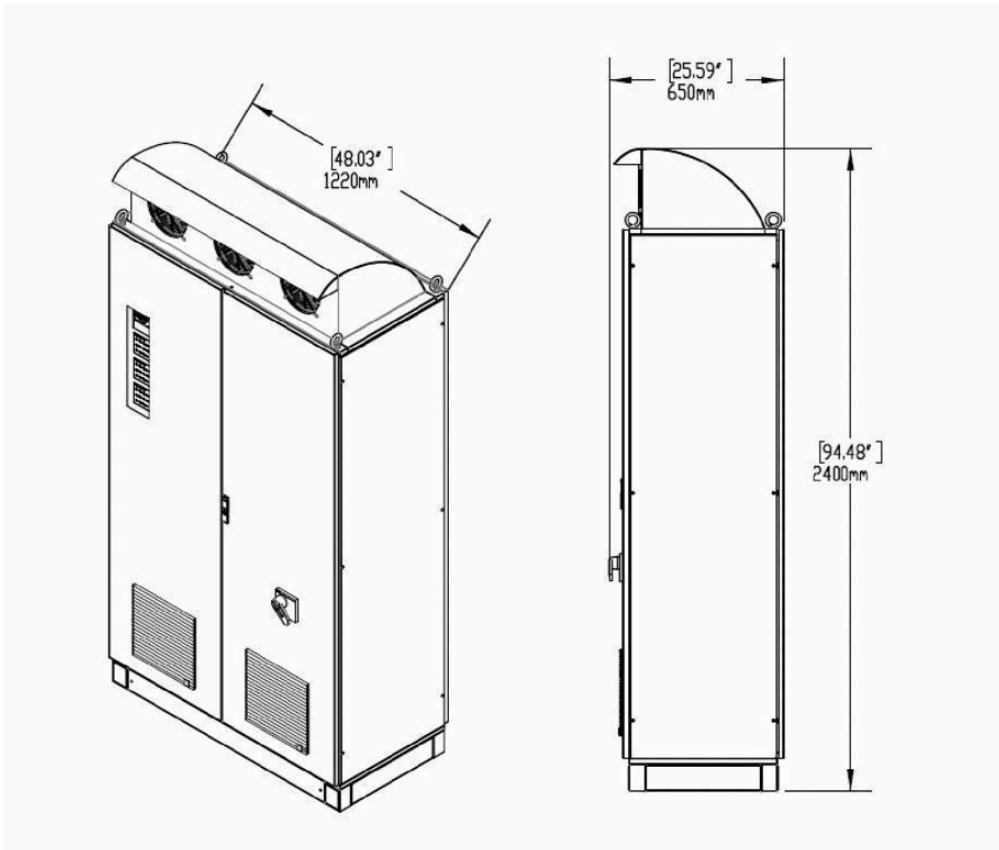


CUBICAL TYPE | 550 x 550 x 800 (in mm)

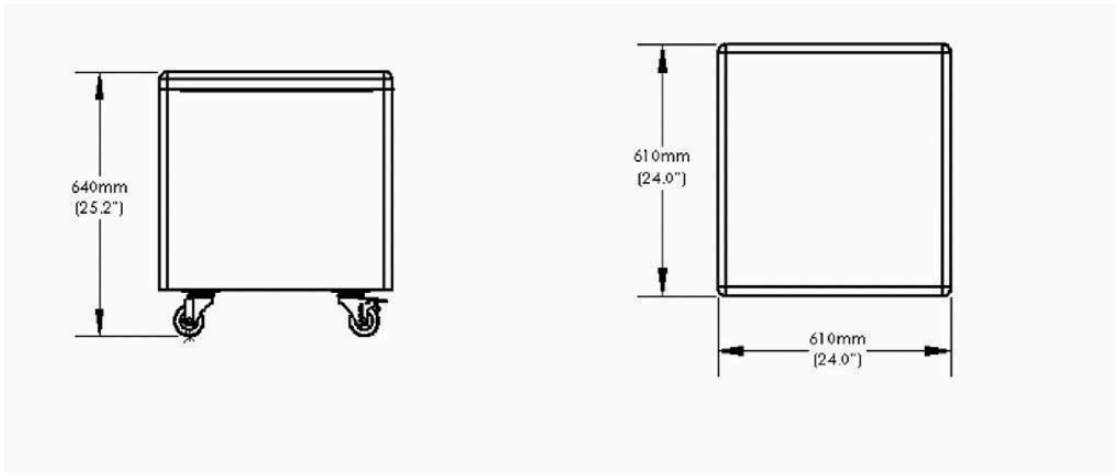


+

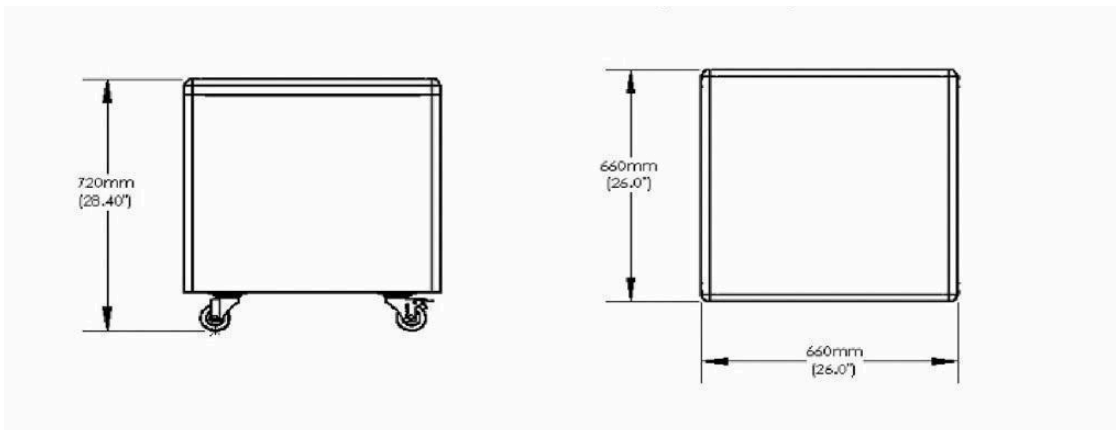
PANEL TYPE | 650 x 1220 x 2400 (in mm)



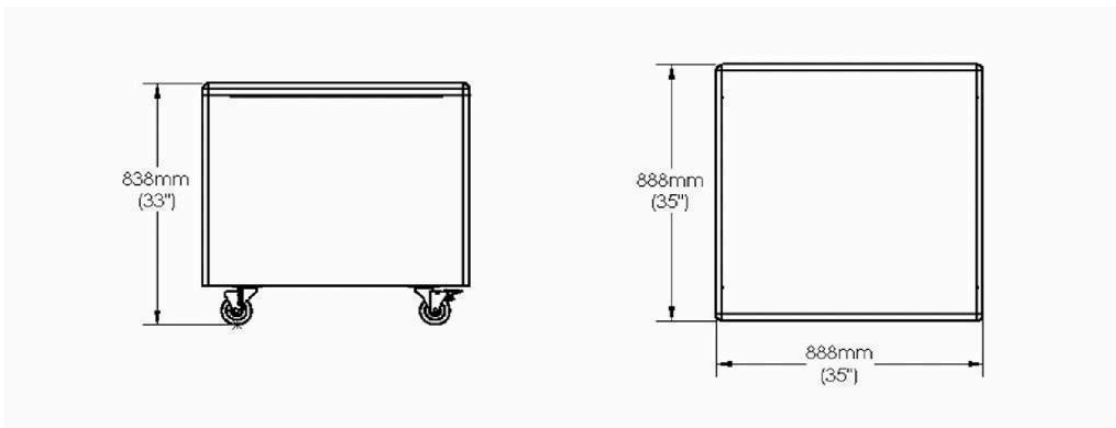
CUBICAL TYPE | 610 x 610 x 640 (in mm)



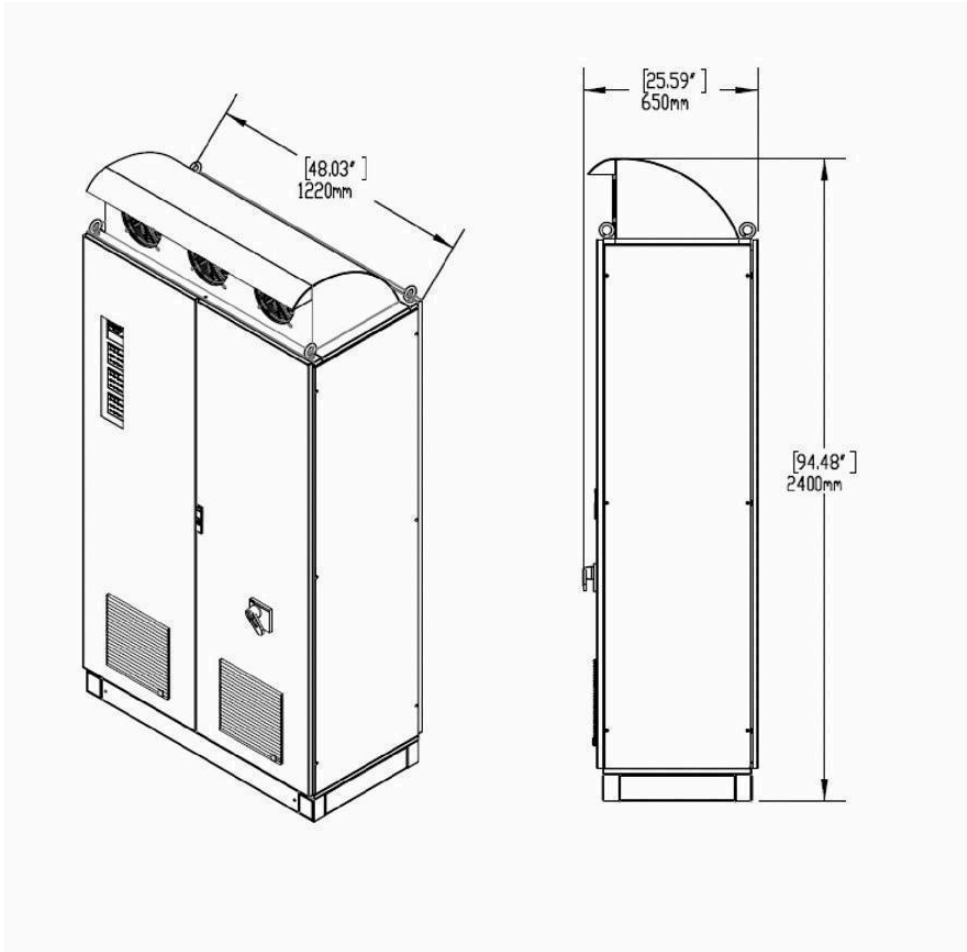
CUBICAL TYPE | 660 x 660 x 720 (in mm)



CUBICAL TYPE | 888 x 888 x 838 (in mm)



PANEL TYPE | 650 x 1220 x 2400 (in mm)



Contact Us

[jump to index](#)

Contact us for a **free demo trial** or a **customised quote** or just a hello!

+91-8000455999 | +91-7567722666 | info@tsipower.in

TSi Power Pvt Ltd, 154-155, Siddhi Industrial Infra Park, Waghodia,
Vadodara, Gujarat 391760, India | www.tsipower.in