



PRODUCT SPECSHEET

PRODUCT: TSi KNIGHTINGALE
CATEGORY: STATIC POWER CONDITIONER
MODEL: SINGLE PHASE 10 Amps 230 Volts



TSi Power Pvt Ltd, 154-55, Siddhi Industrial Infra Park, Waghodia,
Vadodara-391760, Gujarat, India | +91-8000455999 | info@tsipower.in

DISCLAIMER: The information provided is for representative purposes only and does not constitute a warranty. Users are responsible for verifying the suitability of the product for their specific applications.

Index (click to directly jump to a section)

- ABOUT THE PRODUCT
- FEATURES & BENEFITS
- ABOUT THE COMPANY
- TECHNICAL SPECIFICATIONS - KNIGHTINGALE-2400-9230-130M
- DIMENSION DIAGRAMS
- CONTACT US

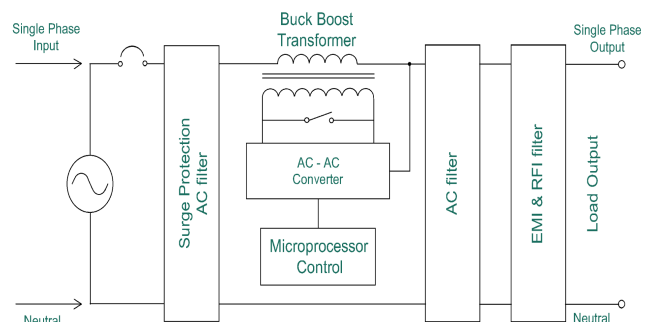
Elevate your Audio-Visual experience with **TSi Power's Knightingale** – a premium-grade power conditioning and voltage regulation system designed specifically for audiophiles, home theater systems, high-end listening rooms & studio environments.



Combining state-of-the-art regulation with precision filtering and robust protection, Knightingale ensures each sound note and every visual scene reaches you in its purest form.

How does the TSi Knightingale work?

Knightingale uses a sophisticated voltage regulation system based on pulse-width modulation (PWM) to maintain a steady 230V output. This ensures consistent performance for sensitive AV gear even during power fluctuations. Its EMI and RFI filters clean the incoming power line, eliminating noise and interference that degrade AV quality.



With multiple isolated outputs and user-friendly design, Knightingale becomes an essential part of any premium audio-visual setup.

[jump to index](#)

Features & Benefits -

- **True Voltage Regulation (VRP):** Maintains output at 230V \pm 1% even during severe fluctuations (input: 200V to 260V), stabilizing voltage to prevent equipment damage.
- **Advanced Noise Filtration:** Integrated EMI and RFI filters remove unwanted interference & preserve signal integrity to ensure quiet, clear performance.
- **Neutral-to-Ground Monitoring:** Trips the system and alerts the user if the neutral-to-ground voltage exceeds safe limits, offering enhanced safety for connected equipment and users.
- **Reliable Protection:** Safeguards sensitive AV gear from electrical anomalies.
- **AV-Friendly Socket Layout:** 2 sets of independently filtered & regulated circuits, each having three rear-mounted sockets.
- **Elegant Form Factor:** Sleek matte black aluminum cabinet, suitable for desktop or 3U rack mounting. Complements modern home theaters.
- **Cooling System:** Equipped with a silent fan that operates only under higher thermal loads, ensuring quiet environments remain undisturbed.
- **Visual Indicators:** Green LED for system ON, Red LED for fault indication.

[jump to index](#)

The TSi Philosophy - Powering Happiness

TSi Power is a renowned and a trusted name in the power conditioning industry. Since 2011, we have built a workplace that *nurtures* happy employees to *create* great products, in turn, making *happy customers*. Our founders strongly believe and have cultivated this within the company. There's a reason why we have become one of the *world's most trusted* power conditioners.

Powering Happiness is both our business goal and our work culture.

Our Facility in Vadodara, India

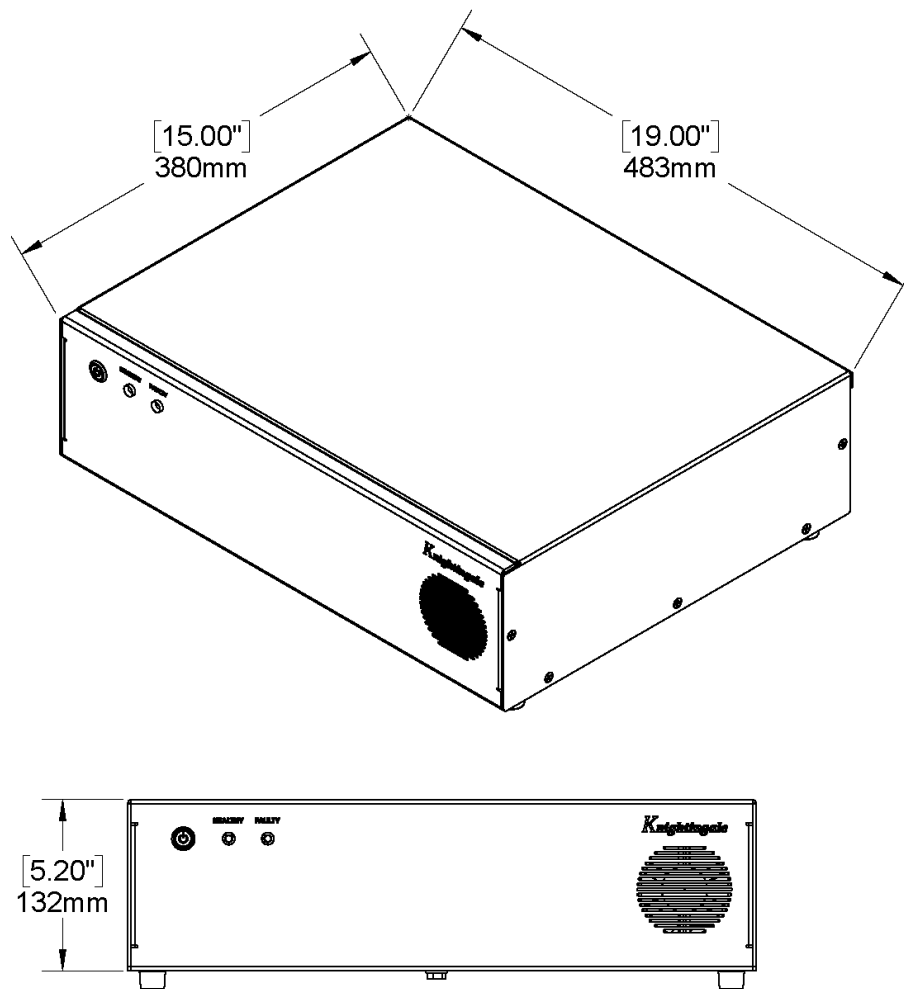


[jump to index](#)

TECHNICAL SPECIFICATIONS - KNIGHTINGALE-2400-9230-130M

[jump to index](#)

ELECTRICAL	
Capacity (in KVA)	2.4
Switching Technology	20 kHz IGBT AC chopper/inverter
Voltage Compensation Time	20 ms typical
AC INPUT	
Nominal Input Voltage (V)	Single phase 230
Designed Input Voltage Range (V) (voltage regulation accuracy of +/-1%)	200 - 260
Input Voltage Range (V) (for relaxed output regulation within functional range of 200-250V P-N)	173 - 283
Nominal Operating Frequency	50 Hz +/- 3 Hz
AC Input Connector	L1, Neutral & Ground input plug
Overload & Short Circuit Protection	Through suitably rated input circuit breaker
AC OUTPUT	
Nominal Output Voltage (V)	Single phase 230
Efficiency	Typical 97% (under 20 - 100 % load condition)
Output Voltage Compensation Range	+/- 1 %
Maximum Rated Output Current (A)	10.4
System Status Indicator	Green LED ON-Normal operation Red LED ON-Fault
Output Connector	6 x Filtered & regulated
Surge Protection	Class II Surge Protection
EMI/RFI Filtering	Integrated for signal clarity and interference rejection
PHYSICAL	
Cabinet Construction	Powder coated aluminium cabinets
Automatic AC-AC Converter Bypass	Standard, will get activated when there is a fault condition
Cabinet Weather Protection Ratings	IP 20 (for use in protected indoor environments)
Display	Digital output voltage as well as neutral to ground voltage.
Form Factor	Desktop
Overall Dimension (approx.)	As per Dimension Diagram of Cabinet Type 380x483x132
Unpacked Weight (approx.)	16 kg
ENVIRONMENTAL	
Noise Level	<20dB at 1 meter
Cooling Method	Silent fan (temperature-controlled operation)
Operating Temperature Range	0 to + 45 °C
Operating Humidity Range	10 to 90% relative humidity (non-condensing)
Note: The voltage regulation is based on 230V P-N nominal output voltage. This would proportionately change in case nominal output voltage is required to be preset at any other value between 215V-240V P-N.	



Contact Us

Contact us for a **free demo trial** or a **customised quote** or just a hello!

+91-8000455999 | +91-7567722666 | info@tsipower.in

[📍](#) TSi Power Pvt Ltd, 154-155, Siddhi Industrial Infra Park, Waghodia, Vadodara, Gujarat 391760, India | [🌐 www.tsipower.in](http://www.tsipower.in)